



LABCASE

Casework and storage

Labcase offers a complete line of steel cabinets that is also manufactured in wood, phenolic, stainless steel and laminates. Our mission is to satisfy the needs of hospitals, laboratory, educational, pharmaceutical, manufacturing, and technical markets. The cabinets are basic platforms to help develop lab or technical areas for workstations and storage spaces for clean working environments. We typically work with the customer to help develop systems that fill their specific needs such as mobile, suspended, or fixed systems. Typically no lab project is the same so we can customize our systems or develop new cabinets as needed to complete your space and make it as productive as possible.

Labcase uses standard RAL colors with options for textured and special colors. Special colors typically result in possible project delays and added costs. We also match colors for specific projects if a sample is provided.

This catalog shows basic storage systems only. We have capabilities to develop other storage or work storage systems as required to complete your project.

Casework Features:

Standard 5 knuckle stainless steel hinges

Locks for doors and drawers either keyed the same or different.

Drawers and doors have removable covers with options for inset or overlay style cabinets

Drawers are supplied using full extension ball bearing slides 100lb capacity typical plated steel

Materials include steel, stainless steel, phenolic resin, wood, and laminate

Pulls include standard die cast aluminum, stainless steel, or PVC snap-in or continuous finger grab formed in the drawer front for steel cabinets with the other materials having stainless steel D pulls or plastic pulls available.

Special cabinet add on options include sloped dust covers, vented cabinets, spill trays, slots, bins, individual slide out shelves, casters for mobile systems, and interior lighting



Part 1. General

1.1 Intent

The intent of this specification is to provide a general overview of Labcase constructed standard cabinets.

1.2 Drawing

On most orders a small 4% up-charge will be added to the project to cover engineering costs. Drawings will show layout of cabinets in relation to provided architectural information. We are not responsible for information provided to Labcase regarding accuracy. It will be the customers responsibility to supply Labcase with the correct information.

1.3 Guarantee

Upon request, a written guarantee of all material and workmanship for casework provided. The guarantee will be for a period on one year from final acceptance. Any defects due to improper use or installation will be excluded.

Part 2. Materials

2.1 General

A. All materials selected for your casework project will be the best quality available.

B. Sheet metal shall be furniture grade type that is cold rolled, pickled and annealed at the mill. Steel will be free of rust, scratches, or any other defects.

C. Stainless steel will be type 304 with a number #4 brushed finish. Also providing the option for type 316 stainless steel with a #4 brushed finish.

D. Gauges for specific components

Cabinet fronts	18 gauge	Counter tops	14 gauge
Cabinet sides	18 gauge	Hat channels	18 gauge
Cabinet bottoms	18 gauge	Sloped tops	18 gauge
Cabinet backs	18 gauge	Inner support brkt	18 gauge
Shelves	18 gauge	Cabinet inner panel	18 gauge
Aprons	18 gauge	Sink bowels	14 gauge
Bases	18 gauge	Table legs	16 gauge
Cabinet tops	18 gauge	Finished back panels	18 gauge
Drawer bodies	18 gauge	Door outer pan	18 gauge
Suspension brkt.	14 gauge	Drawer outer pan	18 gauge
Wall cabinet tops	18 gauge	Wall cabinet backs	16 gauge
Wall cabinet doors	18 gauge	Wall cabinet sides	18 gauge

2.2 Casework Construction

A. Cabinets:

Each cabinet will be fabricated from furniture grade steel that will require spot welding and mig welding applications. All joints are butt type with minimal overlap to avoid none powder coated steel in the assembly. Once squared corner gussets are added where needed to maintain a solid body. All exposed face stiles are 1.5" typical unless specified. Most cabinets unless suspended or special have a 3.5" high toe kick. Each bottom corner has a 14 gauge gusset with leveling glide unless suspended type. Both sides and cabinet fronts are finished to accept powder coating unless stainless steel. If stainless steel grind and polish to a number 4 finish.

B. Doors:

1. Hinged metal are .63 thick with a double pan construction. The inner and outer pans are filled with sound deadening material. Doors are provided with a 14 gauge inner attachment strip for hinges. Also .375 rubber bumpers are pushed in place to reduce door noise while closing.
2. Sliding metal doors shall be constructed the same as above except without hinge bracket and bumpers. Each door uses a ball bearing style glide that rides on a single aluminum or plastic rail two per door. Door tops have nylon glides for upper guide channels. Finger grabs typically provided as well as rubber bumpers.
3. Glazed doors shall also be similar in construction to standard metal doors. Each door has a 2.5" stile all around. Doors shall use a minimum of 7/32" thick float glass. The glass is captured in channels with removable strip steel backs. The glass is trimmed out in a neoprene rubber trim. If doors are all glass tempered is used. Other options include frosted or tinted glass.

C. Drawers:

Drawer bodies are formed 18 gauge steel with flange returns on the top to add strength to the construction. Drawer front pans are .63 deep with a removable back. Sound deadener is added to the interior. Drawers are equipped with 100lb rated full ball bearing extension slides. This style slide provides a quite reliable smooth operating drawer. Rubber bumpers are also provided to reduce closure noise.

D. Hardware:

1. All exposed hardware is either bushed aluminum or stainless steel unless chrome plated or PVC versions of hardware have been called out. The standard stainless steel hinge is .093" thick with five knuckles a hospital grade type hinge. Hinges are rated for 500,000 door closing for there lifetime use. These hinges are attached using 3 screws in each leaf. Doors over 45" will use 3 hinges.
2. All doors using rollers nylon type have three options for door pulls. A satin chrome type, a pvc snap in type. And a type 304 stainless steel inset grab.
3. Locks – doors where indicated using locks where there inner core is removable or replaceable. Keying options are available.
4. Cabinet shelving – are a formed panel with an added hat channel in the center running horizontally to reinforce the shelf. Flanges range from ½" to 1" for larger shelves.

Installation:

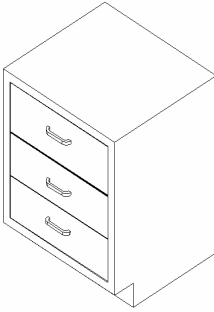
All cabinets should be securely attached to walls as required by job site conditions. It is recommended a backing board or similar material be added to walls in construction process to aid the attachment of wall cabinets. All base cabinets should be joined together in a daisy chaining process. Level all cabinets before securing and adding work surfaces to cabinets. Fasten the work surfaces after they have been leveled on the cabinets. Use appropriate hardware screws to attach all cabinets.

Custom Fabrication:

Most all our products can be custom made for your specific need. There will be a cost in doing this for a number of reasons. Engineering time as well as small production runs lead to higher costs. Custom work is not limited to casework it also applies to fume hoods, counter tops, bench systems, or any other products we manufacture.

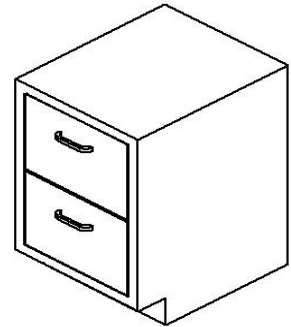
Testing:

Most all products have been tested for loads or specifications to meet industry standards. This also includes finishes for powder coating. If Labcase has not tested a specific part or finish we can do so at additional costs. We have selected our standard finishes to meet and exceed industry standards anything beyond that will have to be tested as an added charge. If additional information is needed contact your dealer for further details.

CASEWORK


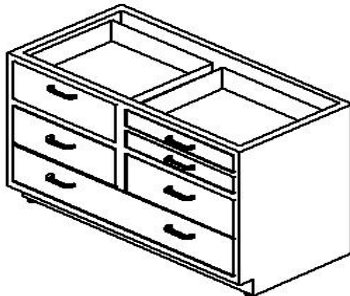
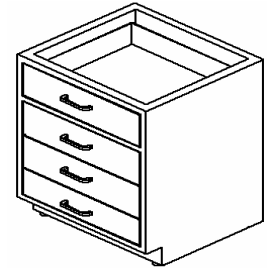
Three drawer base 29"H
Model # Size:
 #182922-3D 18"
 #242922-3D 24"
 #302922-3D 30"

Two drawer file 29"H
Model # Size:
 #182922-2DF 18"
 #242922-2DF 24"
 #302922-2DF 30"



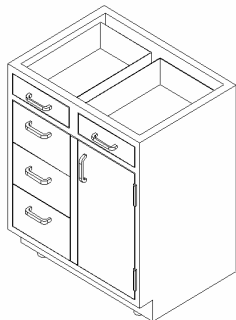
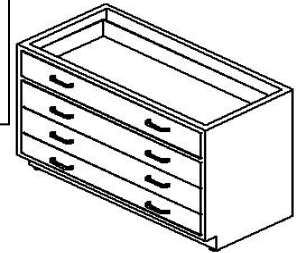
4 drawer 1DR base 29" & 35"H
Model # Size:
 #362922-4D1DR 36"
 #482922-4D1DR 48"
 #602922-4D1DR 60"
 #363522-4D1DR 36"
 #483522-4D1DR 48"
 #603522-4D1DR 60"

Four drawer base 29"&35"H
Model # Size:
 #182922-4D 18"
 #242922-4D 24"
 #302922-4D 30"
 #183522-4D 18"
 #243522-4D 24"
 #303522-4D 30"



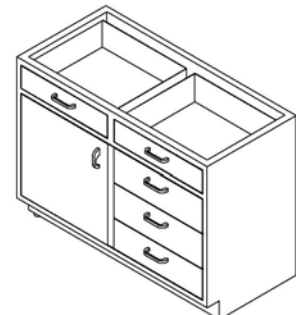
6 drawer base 35"H
Model # Size:
 #363522-6D 36"
 #483522-6D 48"
 #603522-6D 60"

Four drawer base 35"H
Model # Size:
 #363522-4D 36"
 #483522-4D 48"
 #603522-4D 60"

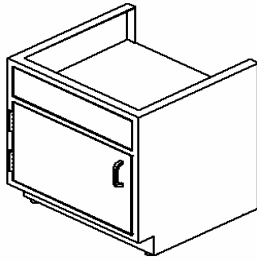


Five drawer 1 DR base 35"H
Model # Size:
 #363522-5D1DRR 36"
 #483522-5D1DRR 48"
 #603522-5D1DRR 60"

Five drawer 1 DR base 35"H
Model # Size:
 #363522-5D1DRL 36"
 #483522-5D1DRL 48"
 #603522-5D1DRL 60"



CASEWORK

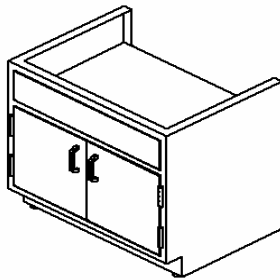
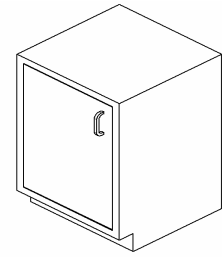


Sink base 29" & 35"H

Model #	Size:
#182922-SB	18"
#242922-SB	24"
#302922-SB	30"
#183522-SB	18"
#243522-SB	24"
#303522-SB	30"

Door base 29" & 35"H

Model #	Size:
#182922-DR	18"
#242922-DR	24"
#302922-DR	30"
#183522-DR	18"
#243522-DR	24"
#303522-DR	30"

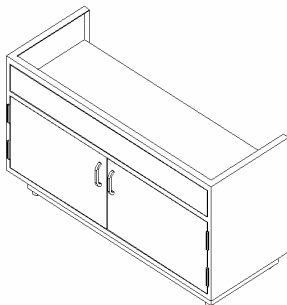
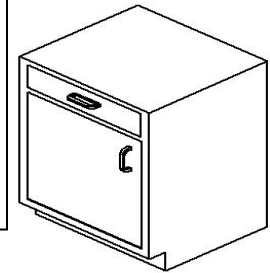


Sink base 29" & 35"H

Model #	Size:
#362922-SB	36"
#482922-SB	48"
#602922-SB	60"
#363522-SB	36"
#483522-SB	48"
#603522-SB	60"

Drawer / Door base 29" & 35"H

Model #	Size:
#182922-D1DR	18"
#242922-D1DR	24"
#302922-D1DR	30"
#183522-D1DR	18"
#243522-D1DR	24"
#303522-D1DR	30"

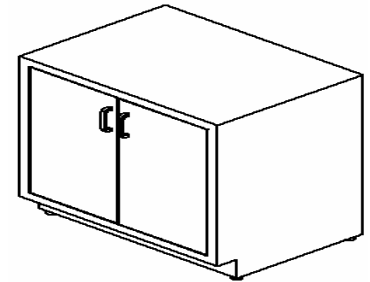


Fume Hood base 29" & 35"H
SINGLE DOOR

Model #	Size:
#182922-FH	18"
#242922-FH	24"
#302922-FH	30"
#183522-FH	18"
#243522-FH	24"
#303522-FH	30"

Base 2DR 29" & 35"H

Model #	Size:
#362922-2D	36"
#482922-2D	48"
#602922-2D	60"
#363522-2D	36"
#483522-2D	48"
#603522-2D	60"



Fume Hood base 29" & 35"H

Model #	Size:
#362922-FH	36"
#482922-FH	48"
#602922-FH	60"
#363522-FH	36"
#483522-FH	48"
#603522-FH	60"

Fume Hood base 29" & 35"H
SINGLE DOOR

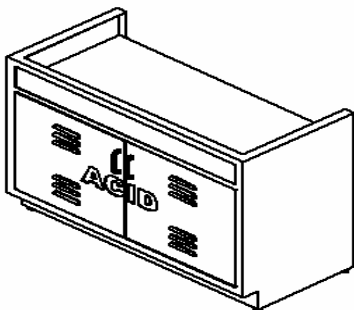
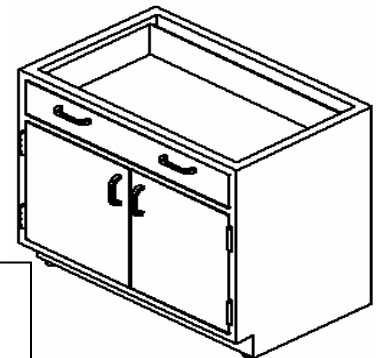
Model #	Size:
#182922-FH	18"
#242922-FH	24"
#302922-FH	30"
#183522-FH	18"
#243522-FH	24"
#303522-FH	30"

Double Door as shown

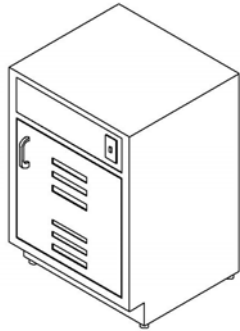
#362922-AC	36"
#482922-AC	48"
#602922-AC	60"
#363522-AC	36"
#483522-AC	48"
#603522-AC	60"

Base 1D 2 DR 29" & 35"H

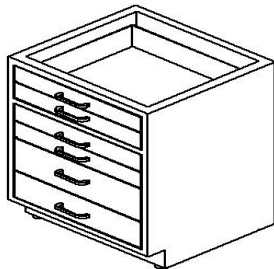
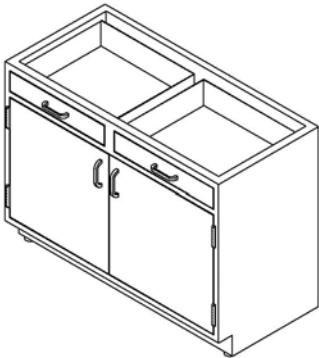
Model #	Size:
#362922-1D2DR	36"
#482922-1D2DR	48"
#602922-1D2DR	60"
#363522-1D2DR	36"
#483522-1D2DR	48"
#603522-1D2DR	60"



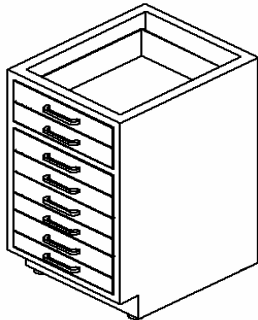
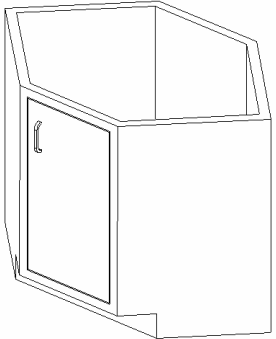
CASEWORK



Vac pump base 29" & 35"H SINGLE DOOR		Base 2D 2 DR 29" & 35"H	
Model #	Size:	Model #	Size:
#182922-VP	18"	#362922-2D2DR	36"
#242922-VP	24"	#482922-2D2DR	48"
#302922-VP	30"	#602922-2D2DR	60"
#183522-VP	18"	#363522-2D2DR	36"
#243522-VP	24"	#483522-2D2DR	48"
#303522-VP	30"	#603522-2D2DR	60"

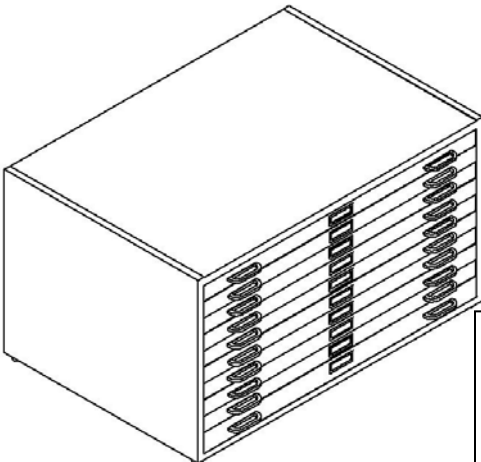
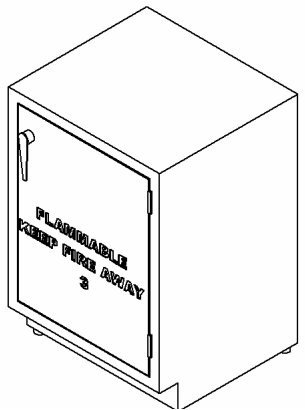


Base 6DS 29" & 35"H		Base corner 1D 2 DR 29" & 35"H	
Model #	Size:	Model #	Size:
#182922-6DS	18"	#362922-CC	36"
#242922-6DS	24"	#482922-CC	48"
#302922-6DS	30"	#602922-CC	60"
#183522-6DS	18"	#363522-CC	36"
#243522-6DS	24"	#483522-CC	48"
#303522-6DS	30"	#603522-CC	60"

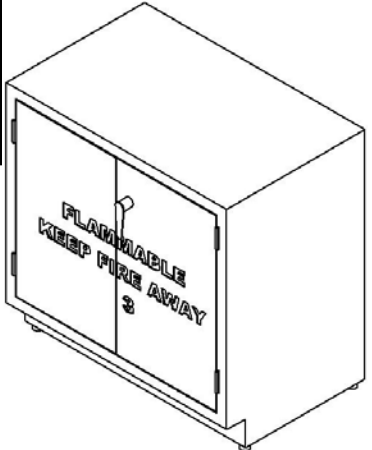


Base 8DS 29" & 35"H	
Model #	Size:
#182922-8DS	18"
#242922-8DS	24"
#302922-8DS	30"
#183522-8DS	18"
#243522-8DS	24"
#303522-8DS	30"

Flammable base 29" & 35"H SINGLE DOOR	
Model #	Size:
#182922-FB	18"
#242922-FB	24"
#302922-FB	30"
#183522-FB	18"
#243522-FB	24"
#303522-FB	30"

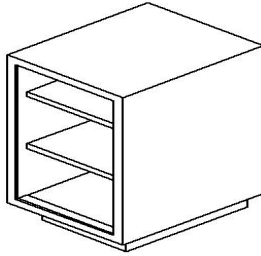


Flammable base 29" & 35"H	
Model #	Size:
#362922-FB	36"
#482922-FB	48"
#602922-FB	60"
#363522-FB	36"
#483522-FB	48"
#603522-FB	60"



Flat file cabinet 36 & 42"H	
Model #	Size:
#583622-FB	58"w
#584222-FB	58"w
Sits on a base or counter top	

CASEWORK SPECIFIC USE



Base open OS 29" & 35"H

Model # Size:

#182922-OS 18"
#242922-OS 24"
#302922-OS 30"

#183522-OS 18"
#243522-OS 24"
#303522-OS 30"

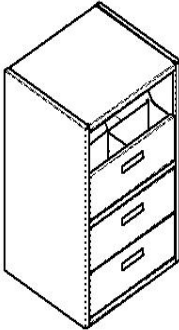
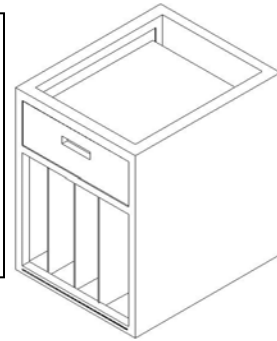
Base open OS 29" & 35"H

Pack station

Model # Size:

#182922-PS 18"
#242922-PS 24"
#302922-PS 30"

#183522-PS 18"
#243522-PS 24"
#303522-PS 30"



Base open OS 29" & 35"H
Pharma bottle pulling cabinet

Model # Size:

#182922-BC 18"
#242922-BC 24"
#302922-BC 30"

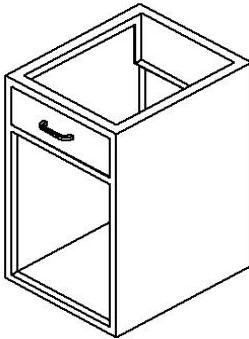
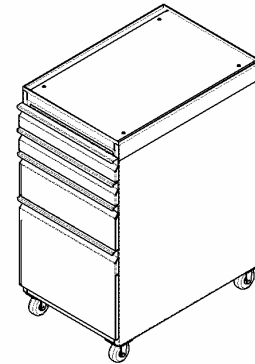
#183522-BC 18"
#243522-BC 24"
#303522-BC 30"

Mobile ped 4D 26" & 33"H

Model # Size:

#182622-MP4 18"
#242622-MP4 24"
#302622-MP4 30"

#183322-MP4 18"
#243322-MP4 24"
#303322-MP4 30"

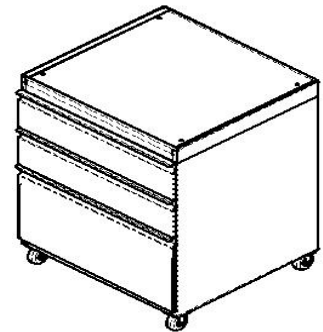


Base printer open 29" & 35"H

Model # Size:

#182922-OP 18"
#242922-OP 24"
#302922-OP 30"

#183522-OP 18"
#243522-OP 24"
#303522-OP 30"



Double sided Acid 35"Hx28"D
Single Door (Pass thru)

Model # Size:

#183528-ADS 18"
#243528-ADS 24"
#303528-ADS 30"

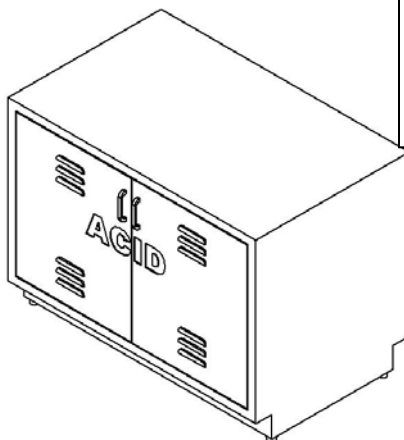
#363528-ADS 36"
#483528-ADS 48"
#603528-ADS 60"

Mobile ped 3D 26" & 33"H

Model # Size:

#182622-MP3 18"
#242622-MP3 24"
#302622-MP3 30"

#183322-MP3 18"
#243322-MP3 24"
#303322-MP3 30"

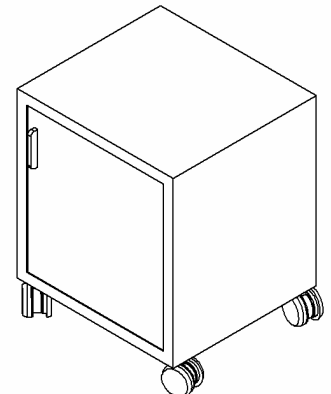


Mobile ped door 26" & 33"H

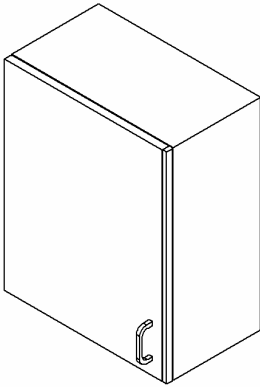
Model # Size:

#182622-MPD 18"
#242622-MPD 24"
#302622-MPD 30"

#183322-MPD 18"
#243322-MPD 24"
#303322-MPD 30"

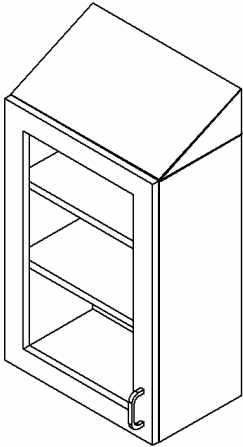


CASEWORK



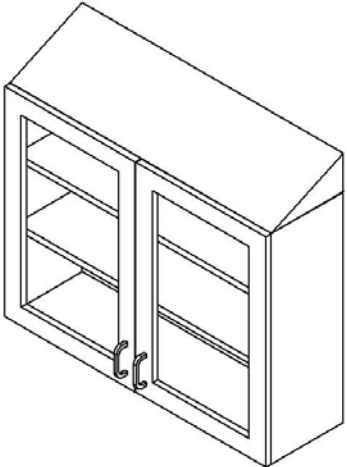
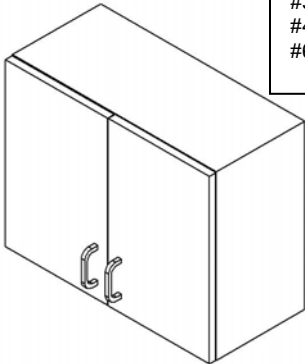
Wall cabinet 1DR 24", 30", 36"H	
Solid door	
Model #	Size:
#182413-DR	18"
#242413-DR	24"
#302413-DR	30"
#183013-DR	18"
#243013-DR	24"
#303013-DR	30"
#183613-DR	18"
#243613-DR	24"
#303613-DR	30"

Wall cabinet 1DR 24", 30", 36"H	
Framed glass door (slope top option ADD)	
Model #	Size:
#182413-GDR	18"
#242413-GDR	24"
#302413-GDR	30"
#183618-GDR	18"
#243618-GDR	24"
#303618-GDR	30"



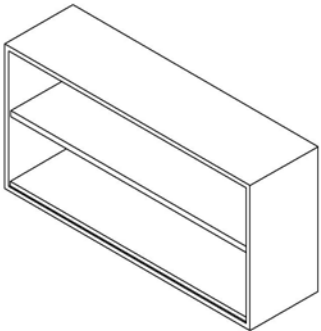
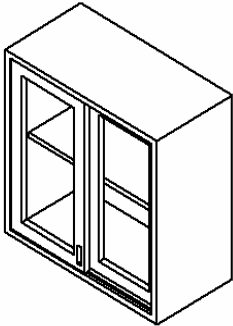
Wall cabinet 2DR 24", 30", 36"H	
Solid door	
Model #	Size:
#362413-2DR	36"
#482413-2DR	48"
#602413-2DR	60"
#363018-2DR	36"
#483018-2DR	48"
#603018-2DR	60"
#363618-2DR	36"
#483618-2DR	48"
#603618-2DR	60"

Wall cabinet 2DR 24", 30", 36"H	
Framed glass door (slope top option ADD)	
Model #	Size:
#362413-G2DR	36"
#482413-G2DR	48"
#602413-G2DR	60"
#363018-G2DR	36"
#483018-G2DR	48"
#603018-G2DR	60"
#363618-G2DR	36"
#483618-G2DR	48"
#603618-G2DR	60"

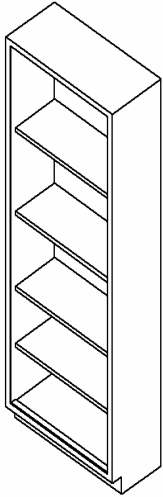


Wall cabinet 2DR 24", 30", 36"H	
Sliding doors	
Model #	Size:
#362413-2SD	36"
#482413-2SD	48"
#602413-2SD	60"
#363018-2SD	36"
#483018-2SD	48"
#603018-2SD	60"
#363618-2SD	36"
#483618-2SD	48"
#603618-2SD	60"

Wall cabinet OPEN 24", 30", 36"H	
Model #	Size:
#362413-O	36"
#482413-O	48"
#602413-O	60"
#363018-O	36"
#483018-O	48"
#603018-O	60"
#363618-O	36"
#483618-O	48"
#603618-O	60"



CASEWORK

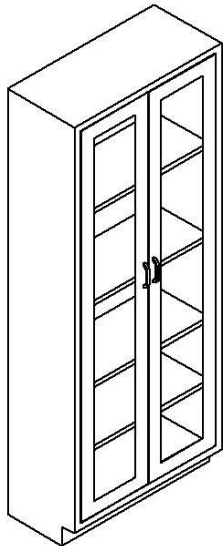
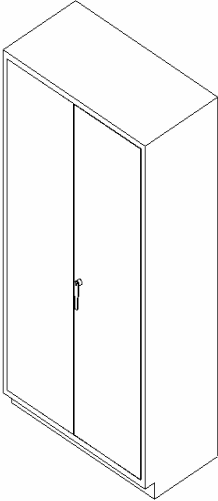


Tall cabinet OPEN 35", 65" & 80"H

Model #	Size:
#363513-OTC	36"
#483513-OTC	48"
#603513-OTC	60"
#366518-OTC	36"
#486518-OTC	48"
#606518-OTC	60"
#368018-OTC	36"
#488018-OTC	48"
#608018-OTC	60"

Wall cabinet 2DR 65" & 80"H
Solid door

Model #	Size:
#366513-TC2DR	36"
#486513-TC2DR	48"
#606513-TC2DR	60"
#368018-TC2DR	36"
#488018-TC2DR	48"
#608018-TC2DR	60"

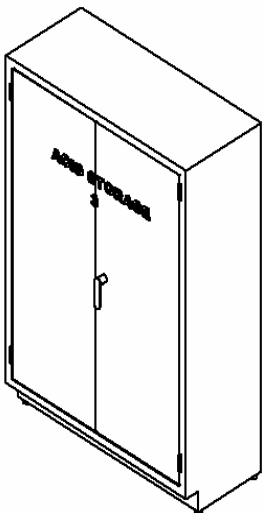
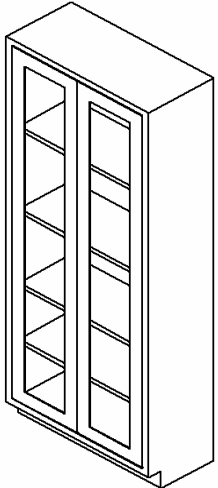


Wall cabinet 2DR 65" & 80"H
Glass doors swinging hinged

Model #	Size:
#366513-TC2GDR	36"
#486513-TC2GDR	48"
#606513-TC2GDR	60"
#368018-TC2GDR	36"
#488018-TC2GDR	48"
#608018-TC2GDR	60"

Wall cabinet 2DR 65" & 80"H
Framed glass doors sliding

Model #	Size:
#366513-TC2DRS	36"
#486513-TC2DRS	48"
#606513-TC2DRS	60"
#368018-TC2DRS	36"
#488018-TC2DRS	48"
#608018-TC2DRS	60"

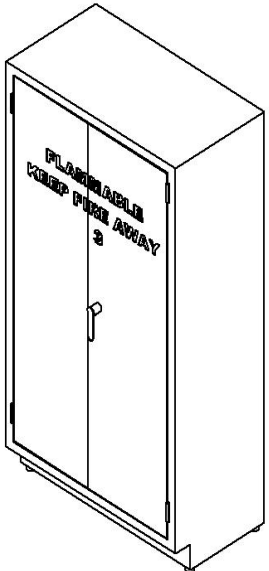


Wall cabinet 2DR 65" & 80"H
Solid door Acid Storage

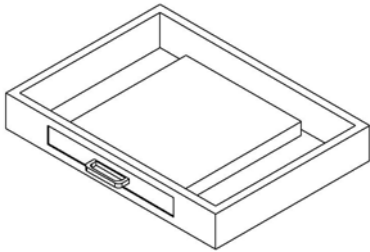
Model #	Size:
#366513-TCAC	36"
#486513-TCAC	48"
#606513-TCAC	60"
#368018-TCAC	36"
#488018-TCAC	48"
#608018-TCAC	60"

Wall cabinet 2DR 65" & 80"H
Solid door Flammable storage

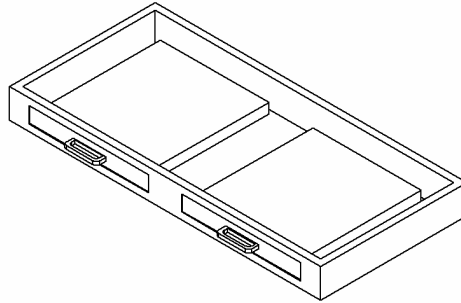
Model #	Size:
#366513-TCFS	36"
#486513-TCFS	48"
#606513-TCFS	60"
#368018-TCFS	36"
#488018-TCFS	48"
#608018-TCFS	60"



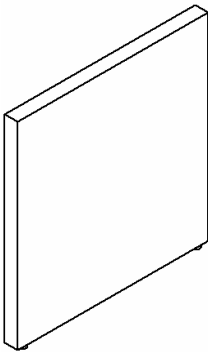
CASEWORK



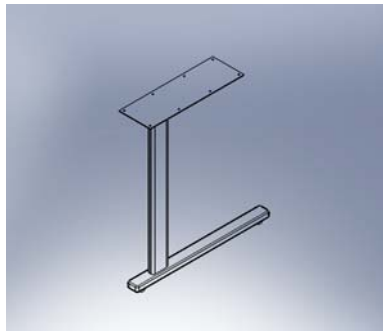
Apron with a single drawer



Apron assembly two drawer unit
Note two drawers typically take larger sized aprons to allow room for drawers.



Closed finished end panel frame
#100-029-029-2 29" h x 29" d
#100-029-033-2 33" h x 29" d
#100-029-035-2 35" h x 29" d



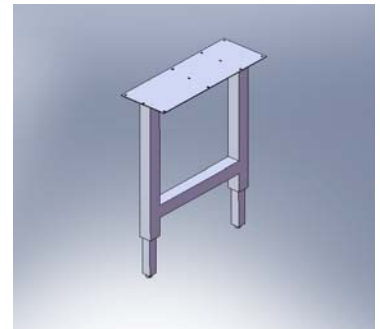
Rectangle steel tube frame support with leveling feet.
Heights include 29", 33", and 35"
#100-029-RSF-3
Add -H and height of support needed

Apron –

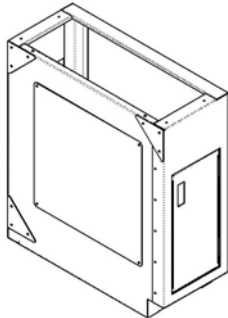
Formed and welded frame to allow adding in open knee access or open areas in casework runs while maintaining support for counter tops.

Not shown plain frame without drawers
When needed just specify width when ordering.

#100-APN-004-?? ? = WIDTH
When drawers are needed just add -D
Then drawer width and quantity reference #100-APN-004-65-D24
(This is a 65" apron w/ quantity two 24"x3" drawers) Apron is 29"d x 4"h
Stock drawers 12", 18", 24", and 30"

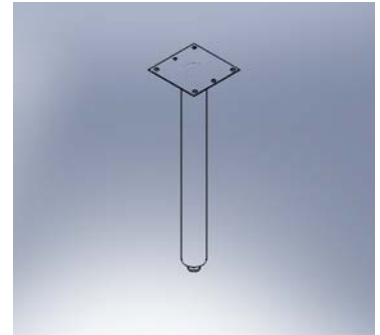


H Leg square tube frame fixed or adjustable as shown. Heights include 29", 33", 35"
#100-030-AHF-2
If you want them fixed height add -FX

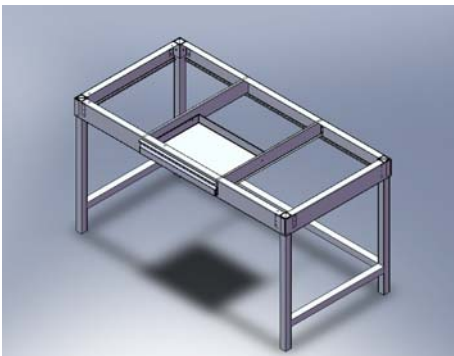


ADA Bases for fume hoods
Inner side access panels with Swing open front door to make Final connects for electrical and Plumbing.

ADA Support cabinets for fume hoods or equipment.
These fixed height casework enclosures are built to support fume hoods typically to allow wheelchair access and meet all ADA accessible regulations. Note shown but part of the assembly are horizontal frame supports all bolt together assembly. This modular system allows for custom widths of assemblies to handle any width of hoods.
Note hoods under 48" typically will use just a welded tube frame assembly.
Bases have open backs and removable or open bottoms. Side removable panels with open top to allow for plumbing and electrical.

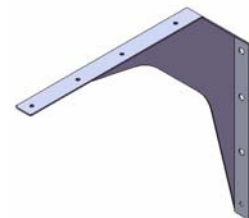


Tube leg fixed with leveling foot



Tube leg fixed with leveling foot

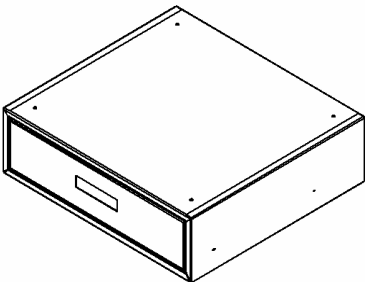
Added extra support where casework is not needed but counter tops continue. There are stand alone tube frames as shown on left or cantilever system see our bench catalog. Wall fixed option allows for more of an open look see right side formed and welded wall mount cantilever. When designing your layout it is recommended not to leave large gaps in between casework without support.



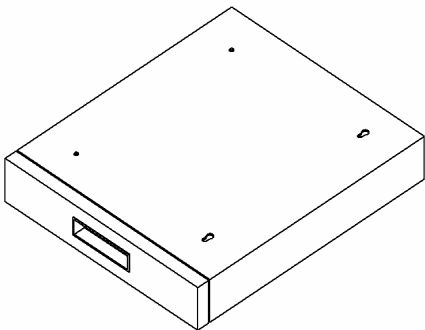
Tube leg fixed with leveling foot

CASEWORK MODULAR STYLE OR SUSPENDED

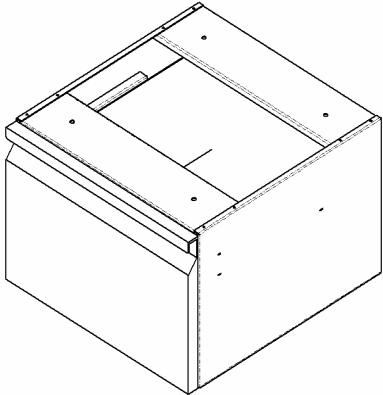
Modular casework – stackable systems with option for add on bases. This system is manufactured in overlay and inset styles. Its basic design is to either be mobile as a pedestal or hung from tables or bench systems as a suspended option. We also manufacture bases for fixed or traditional use. Not shown but supplied suspension kit and casters for mobile use. Base bolt on system also not shown but supplied when requested.
When ordering use prefix OL- # for overlay style, use IS-# for inset, and use FF-# for formed front finger grab



Inset style with pvc pull

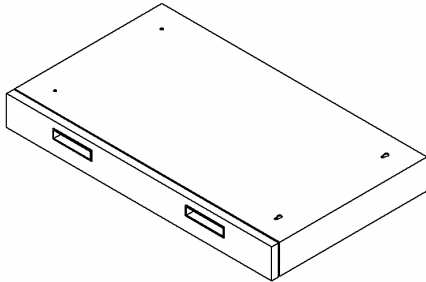


Overlay style with pvc pull

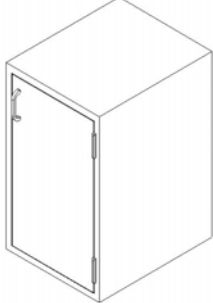


Overlay style with formed pull

<p>Order sizes and model numbers: SIZE: MODEL # 3”H X 15”W X 20”D = 31520 3”H X 18”W X 20”D = 31820 3”H X 24”W X 20”D = 32420 3”H X 30”W X 20”D = 33020 3”H X 36”W X 20”D = 33620 3”H X 42”W X 20”D = 34220 3”H X 48”W X 20”D = 34820</p> <p>6”H X 15”W X 20”D = 61520 6”H X 18”W X 20”D = 61820 6”H X 24”W X 20”D = 62420 6”H X 30”W X 20”D = 63020 6”H X 36”W X 20”D = 63620 6”H X 42”W X 20”D = 64220 6”H X 48”W X 20”D = 64820</p>	<p>Order sizes and model numbers: SIZE: MODEL # 8”H X 15”W X 20”D = 81520 8”H X 18”W X 20”D = 81820 8”H X 24”W X 20”D = 82420 8”H X 30”W X 20”D = 83020 8”H X 36”W X 20”D = 83620 8”H X 42”W X 20”D = 84220 8”H X 48”W X 20”D = 84820</p> <p>10”H X 15”W X 20”D = 101520 10”H X 18”W X 20”D = 101820 10”H X 24”W X 20”D = 102420 10”H X 30”W X 20”D = 103020 10”H X 36”W X 20”D = 103620 10”H X 42”W X 20”D = 104220 10”H X 48”W X 20”D = 104820</p>	<p>Order sizes and model numbers: SIZE: MODEL # 12”H X 15”W X 20”D = 121520 12”H X 18”W X 20”D = 121820 12”H X 24”W X 20”D = 122420 12”H X 30”W X 20”D = 123020 12”H X 36”W X 20”D = 123620 12”H X 42”W X 20”D = 124220 12”H X 48”W X 20”D = 124820</p> <p>15”H X 15”W X 20”D = 151520 15”H X 18”W X 20”D = 151820 15”H X 24”W X 20”D = 152420 15”H X 30”W X 20”D = 153020 15”H X 36”W X 20”D = 153620 15”H X 42”W X 20”D = 154220 15”H X 48”W X 20”D = 154820</p>	<p>Base cabinet door: Order sizes and model numbers: SIZE: MODEL # 20”H X 15”W X 20”D = 201520 20”H X 18”W X 20”D = 201820 20”H X 24”W X 20”D = 202420 20”H X 30”W X 20”D = 203020 20”H X 36”W X 20”D = 203620</p> <p>24”H X 15”W X 20”D = 241520 24”H X 18”W X 20”D = 241820 24”H X 24”W X 20”D = 242420 24”H X 30”W X 20”D = 243020 24”H X 36”W X 20”D = 243620</p>
---	---	---	--



Overlay wide style with PVC pull
 (Any size over 36” gets two pulls)



Inset style with aluminum pull
 Indicate RH or LH pull side
 (cabinets 30” and up double doors)
 All cabinets supplied with one shelf

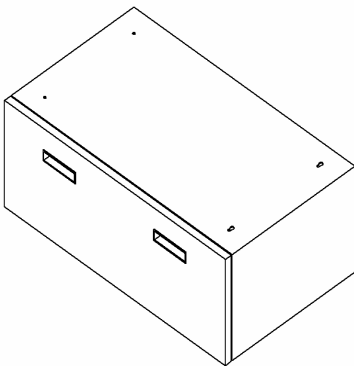
CASEWORK Style selection

Kick panels for closing out open spaces and enclosure panels:

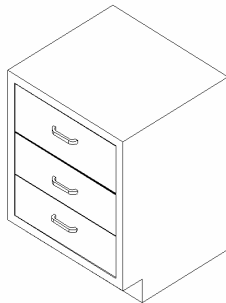
<p>KICK PANELS:</p> <p>SIZE: MODEL #</p> <p>29"H X 24"W = KP-2924</p> <p>29"H X 30"W = KP-2930</p> <p>29"H X 36"W = KP-2936</p> <p>29"H X 42"W = KP-2942</p> <p>29"H X 48"W = KP-2948</p> <p>29"H X 54"W = KP-2954</p> <p>29"H X 58"W = KP-2958</p> <p>29"H X 60"W = KP-2960</p> <p>29"H X 70"W = KP-2970</p> <p>29"H X 72"W = KP-2972</p> <p>ADD -AC FOR ACCESS PANEL</p>	<p>KICK PANELS ADA:</p> <p>SIZE: MODEL #</p> <p>33"H X 24"W = KP-3324</p> <p>33"H X 30"W = KP-3330</p> <p>33"H X 36"W = KP-3336</p> <p>33"H X 42"W = KP-3342</p> <p>33"H X 48"W = KP-3348</p> <p>33"H X 54"W = KP-3354</p> <p>33"H X 58"W = KP-3358</p> <p>33"H X 60"W = KP-3360</p> <p>33"H X 70"W = KP-3370</p> <p>33"H X 72"W = KP-3372</p> <p>ADD -AC FOR ACCESS PANEL</p>	<p>KICK PANELS STANDING:</p> <p>SIZE: MODEL #</p> <p>35"H X 24"W = KP-3524</p> <p>35"H X 30"W = KP-3530</p> <p>35"H X 36"W = KP-3536</p> <p>35"H X 42"W = KP-3542</p> <p>35"H X 48"W = KP-3548</p> <p>35"H X 54"W = KP-3554</p> <p>35"H X 58"W = KP-3558</p> <p>35"H X 60"W = KP-3560</p> <p>35"H X 70"W = KP-3570</p> <p>35"H X 72"W = KP-3572</p> <p>ADD -AC FOR ACCESS PANEL</p>
---	---	--

<p>Enclosure panels w/ slip joint</p> <p>For a 30" deep work surface</p> <p>29"H X 7"D = EP-297</p> <p>33"H X 7"D = EP-337</p> <p>35"H X 7"D = EP-357</p>	<p>Upper closeout panels</p> <p>Order measure distance from top of cabinet to ceiling. A slip joint will be provided with panels. Front and sides. Indicate right hand or left hand sides when placing order.</p>	<p>Sloping roof of cabinet</p> <p>Roof sloping add use -SR after floor Or wall hung cabinet to indicate a sloped top is needed for the casework. Add on sloped roofs can also be ordered just confirm depth and height Needed.</p>
--	--	---

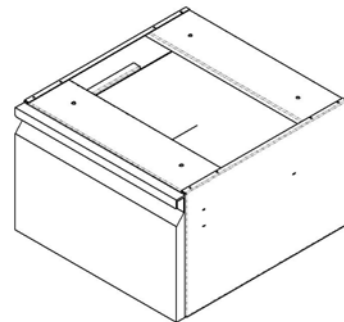
Drawer and door profiles along with various styles available through Labcase shown below. We manufacture cabinets in Overlay style and inset styles with specials for wood or other material fronts. Regardless all frames and structures supporting the casework will be formed and welded steel unless other materials are requested such as wood or laminate. See below for drawer and door profiles. Typical pulls are aluminum brushed with grain finish. D pulls of stainless steel and plastic are available. Other pulls include stainless steel recessed and snap in style black pvc plastic pulls. We also manufacture a continuous style pull for drawers and doors using overlay construction.



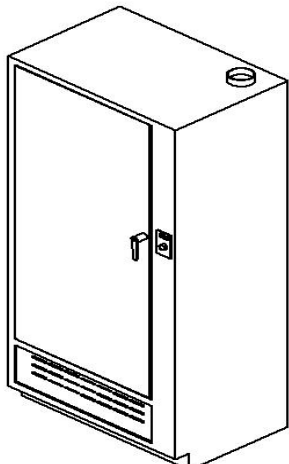
Overlay style drawer covers most of the front frame with pvc plastic pulls.



Inset style drawer exposes most of the front frame with aluminum pulls



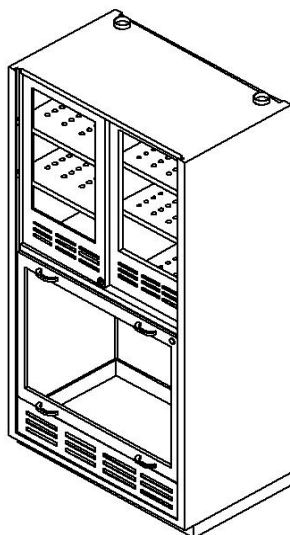
Overlay style drawer covers most of the front frame with a formed in finger grab

CASEWORK SPECIALS AND PEDISTALS


FORENSICS DRYING CABINET
ALL STAINLESS STEEL
WASHABLE INTERIOR (VENTED)

**FORENSIC EVIDENCE DRYING CABINET
LOCKING, VENTED, DRAIN, HANGERS,
PERFERATED SHELVING ALL 304 STN STL**

MODEL NUMBER	SIZE:
FEC-030-078	30"X29"X78"H
FEC-036-078	36"X29"X78"H
FEC-048-078	48"X29"X78"H
FEC-058-078	58"X29"X78"H

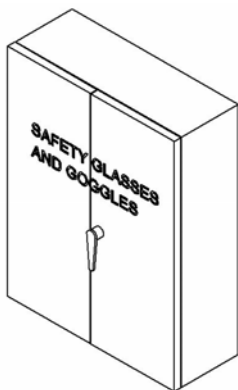


PEDISTAL 2 FILE DRAWER

MODEL NUMBER	SIZE:
PED-015-2FL	15"X20"X28"H
PED-015-2FL-35	15"X20"X35"H
PED-018-2FL	18"X20"X28"H
PED-018-2FL-35	18"X20"X35"H
PED-024-2FL	24"X20"X28"H
PED-024-2FL-35	24"X20"X35"H

**CHEMICAL STORAGE CABINET VENTED
WITH LIFT UP SASH & SLIDING UPPER
DOORS BOTTOM REMOVABLE TRAY**

MODEL NUMBER	SIZE:
CSC-036-078-V	36"X30"X78"H
CSC-042-078-V	42"X30"X78"H
CSC-048-078-V	48"X30"X78"H
CSC-054-078-V	54"X30"X78"H
CSC-058-078-V	58"X30"X78"H



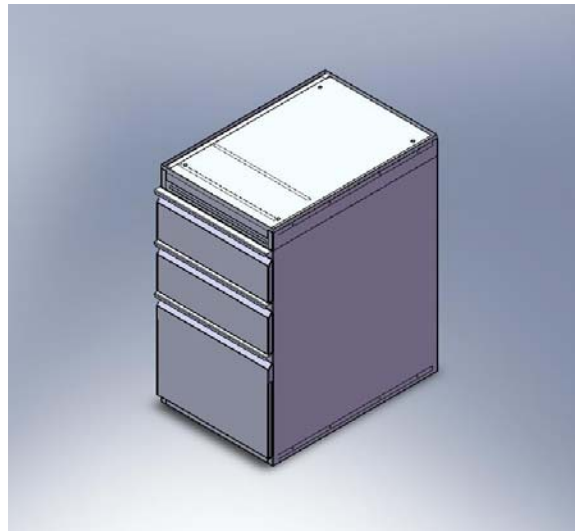
GOGGLE / SAFETY GLASSES STORAGE WALL CABINET

MODEL NUMBER	SIZE:
GGL-024-024	24"X24"X6"D
GGL-030-030	30"X30"X6"D
GGL-036-036	36"X36"X6"D
GGL-036-042	36"X42"X6"D
GGL-036-048	36"X48"X6"D

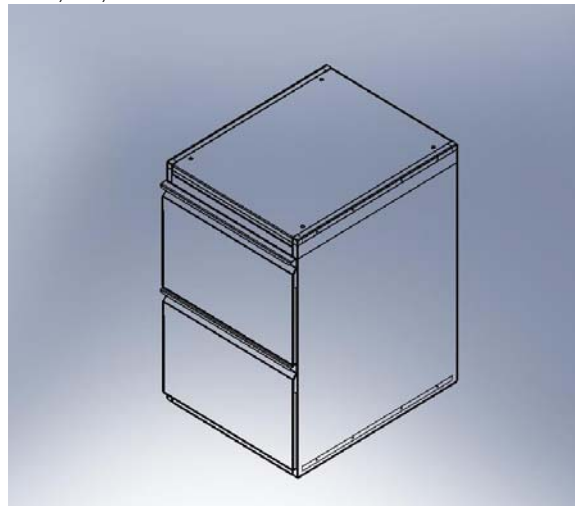
FOR BIO LIGHT DECONTAMINATION USE -BLD AFTER
MODEL NUMBER. FOR KEYED / LOCKING CABINET ADD -LOK
TO MODEL NUMBER AS WELL.

PEDISTAL FILE AND 2 BOX DRAWER

MODEL NUMBER	SIZE:
PED-015-F2B	15"X20"X28"H
PED-015-F2B-35	15"X20"X35"H
PED-018-F2B	18"X20"X28"H
PED-018-F2B-35	18"X20"X35"H
PED-024-F2B	24"X20"X28"H
PED-024-F2B-35	24"X20"X35"H



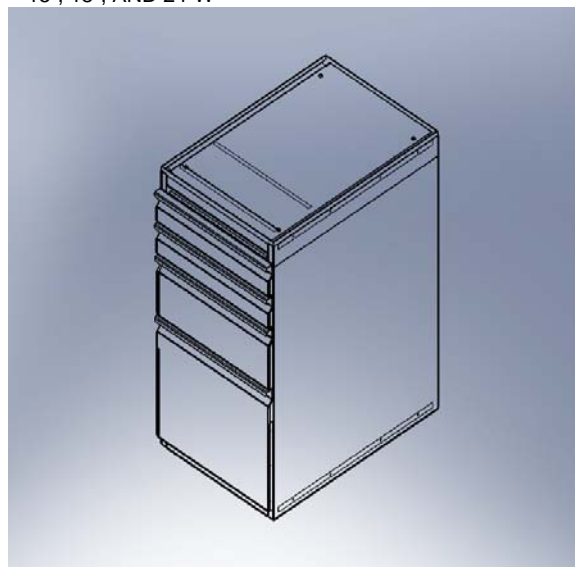
PEDISTAL 3 DRAWER 1 FILE 2 BOX
15", 18", AND 24"W



PEDISTAL 2 FILE DRAWER
15", 18", AND 24"W

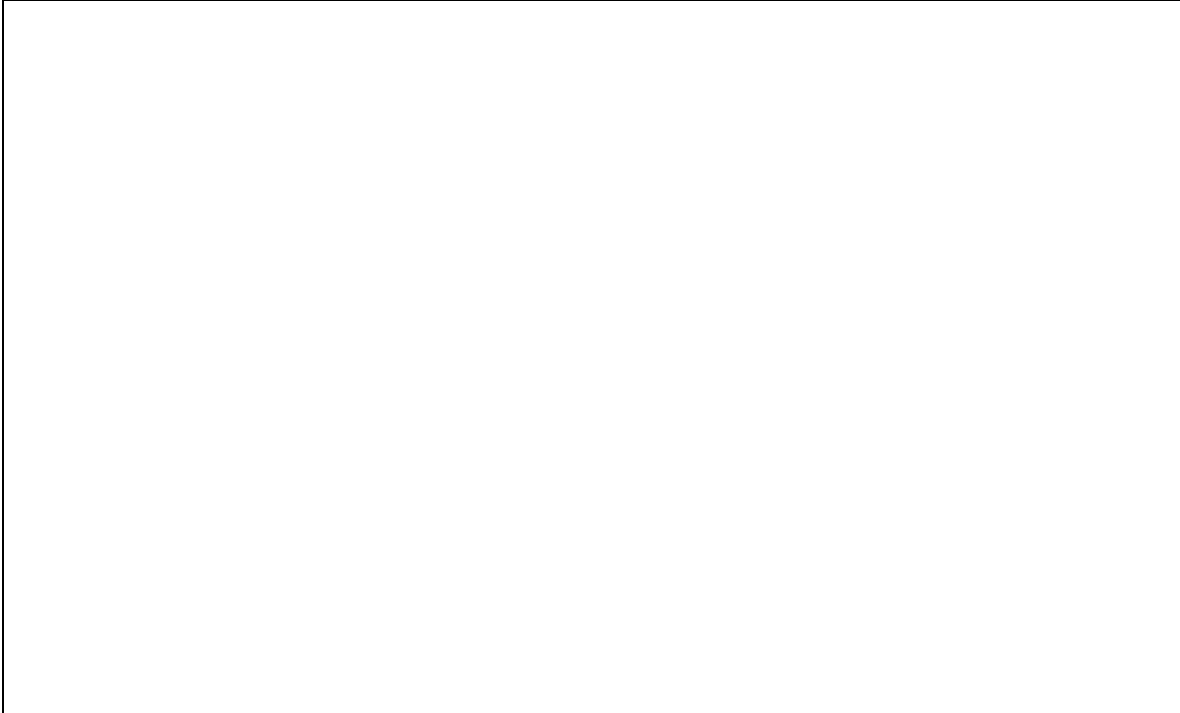
PEDISTAL FILE BOX 2 PENCIL

MODEL NUMBER	SIZE:
PED-015-FBP-2	15"X20"X28"H
PED-015-FBP-235	15"X20"X35"H
PED-018-FBP-2	18"X20"X28"H
PED-018-FBP-235	18"X20"X35"H
PED-024-FBP-2	24"X20"X28"H
PED-024-FBP-235	24"X20"X35"H



PEDISTAL FILE DRAWER BOX AND 2 PENCIL
15", 18", AND 24"W

Distributed by:



Labcase Inc.
PO Box 141261
Grand Rapids, MI 49514

Ph: 616-481-8550
Fax: 616-791-4908
www.labcase.com

Labcase Inc. Products:

Bench Systems, Ceiling Service Systems, Fume Hoods, Tables, and Shelving systems

Copyright 2014 **Labcase Inc.** Contents property of **Labcase Inc.** May not be reproduced without permission. This document does not knowingly contain any untrue materials and products or omission to cause misleading information or guidelines.

LC-06-14